

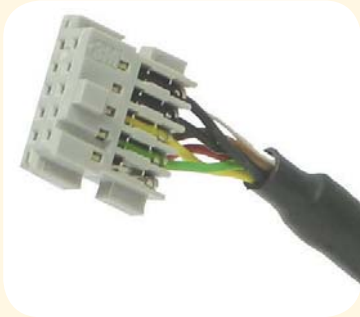
DR425

Direct Replacement Encoder For Quantum ATL P3000 Storage System



Do you need to replace the ATL6310783-01 encoder in your Quantum ATL P3000 storage system? The Accu-Coder™ DR425 from Encoder Products Company is a direct replacement. Encoder Products Company originally manufactured these encoders for the Quantum ATL P3000 System. Each DR425 is an exact match of the original encoder shipped with the ATL P3000 System.

Save time and money looking for a replacement encoder; Encoder Products Company has the perfect solution!



The Accu-Coder™ DR425 Features:

- Low profile (1.19") encoder body
- 8 mm thru-bore with front clamp
- Quadrature A & B channels
- 1024 CPR
- Line driver output
- Slotted flexible mounting system makes installation easy and allows for insulation and isolation from vibration
- 10-pin 3M connector
- Advanced Opto-ASIC technology for superior noise immunity
- Withstands temperatures up to 100° C

The Accu-Coder™ Advantage

- This encoder is in stock and ready for **delivery TODAY!**
- **Huge savings** in price comparison!
- The accuracy, reliability, and quality that only come from an Accu-Coder™
- A **3-year** satisfaction guaranteed warranty!

DR425

Direct Replacement Encoder For Quantum ATL P3000 Storage System

Model DR425 Specifications

Electrical

- Input Voltage 4.75 to 16 VDC
- Input Current 100 mA max with no output load
- Output Format Incremental- Two square waves in quadrature with channel A leading B for clockwise shaft rotation, as viewed from the mounting face.
See *Waveform Diagrams* below.
- Output Types Line Driver- 20 mA max per channel (Meets RS 422 at 5 VDC supply)
- Freq. Response 200 kHz standard
- Noise Immunity Tested to BS EN61000-6-2; BS EN50081-2; BS EN61000-4-2; BS EN61000-4-3; BS EN61000-4-6, BS EN55011
- Symmetry 180° (±18°) electrical
- Quad. Phasing 90° (±22.5°) electrical
- Min. Edge Sep 67.5° electrical
- Accuracy Within 0.01° mechanical from one cycle to any other cycle, or 0.6 arc minutes

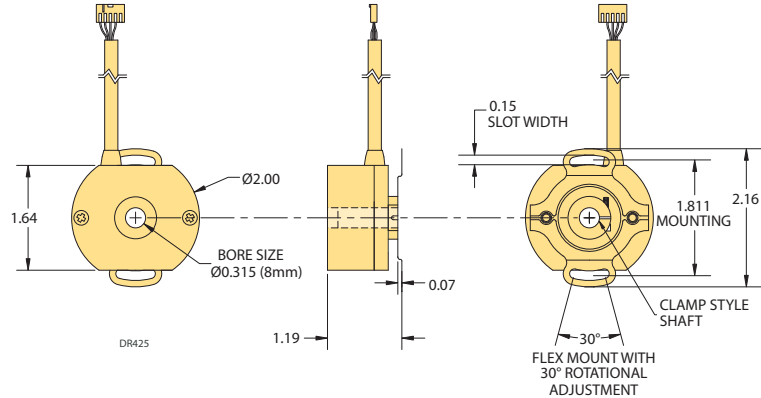
Mechanical

- Max Shaft Speed 7500 RPM
- Bore Size 8 mm
- Bore Tolerance -0.0000" / +0.0006"
- User Shaft Tolerances
 - Radial Runout 0.007" max
 - Axial Endplay ±0.030" max
- Starting Torque 0.50 oz-in
- Moment of Inertia 3.9 X 10⁻⁴ oz-in-sec²
- Max Acceleration 1 X 10⁵ rad/sec²
- Electrical Conn 18" cable (foil and braid shield, 24 AWG conductors) with 10-pin 3M connector
- Housing Black non-corrosive finish
- Mounting Slotted Flex Mount standard
- Weight 3.5 oz typical

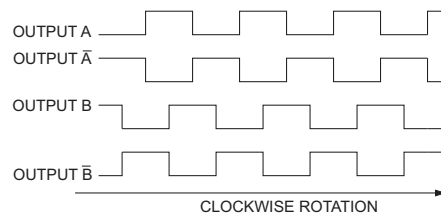
Environmental

- Operating Temp 0° to 100°C for high temperature option
- Storage Temp -40° to +100° C
- Humidity 98% RH non-condensing
- Vibration 10 g @ 58 to 500 Hz
- Shock 50 g @ 11 ms duration
- Sealing IP50

DR425 Dimensions



DR425 Waveform Diagrams



DR425

DR425 Wiring Tables

| Position | Function | Cable Wire Color |
|----------|----------|------------------|
| 1 | Drain | Shield |
| 2 | +VDC | White |
| 3 | COM | Black |
| 4 | N/C | --- |
| 5 | A- | Yellow |
| 6 | A+ | Brown |
| 7 | B- | Green |
| 8 | B+ | Red |
| 9 | N/C | --- |
| 10 | N/C | --- |

